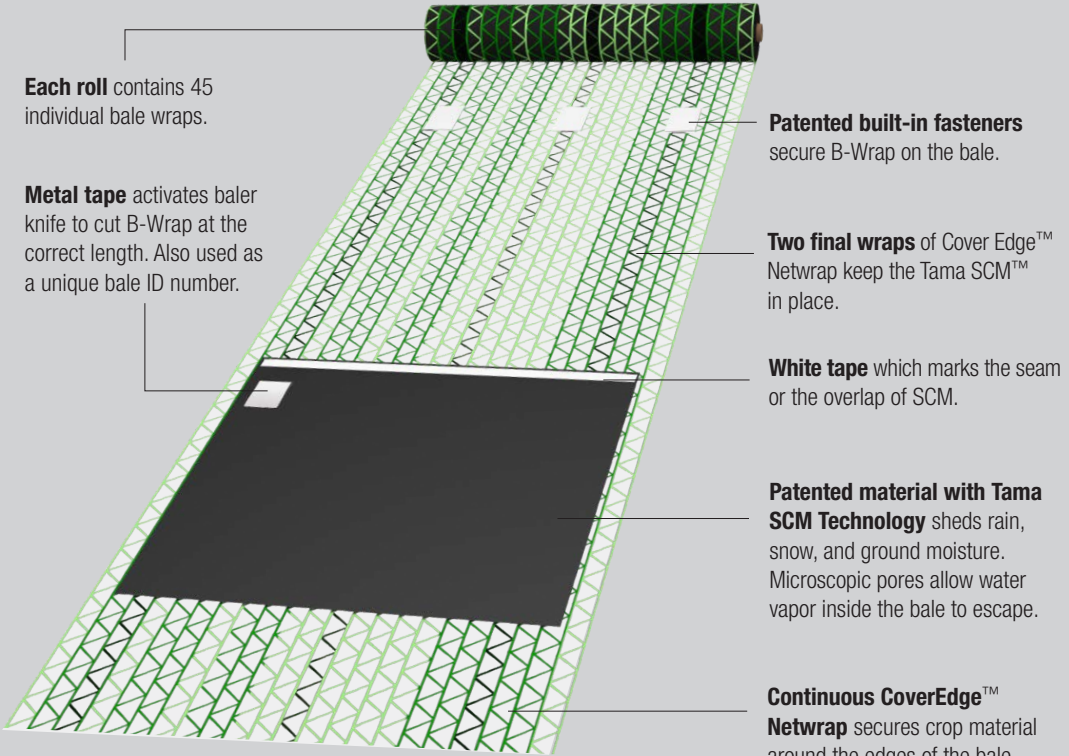


Important Tips for John Deere B-Wrap™ for RB800



B-Wrap can dramatically reduce your bale storage losses. Thanks to a patented material that features Tama SCM technology, B-Wrap can shed rain, snow, and protect the bale from ground moisture. Plus, microscopic pores in the material allow water vapor, inside the bale, to escape.

But B-Wrap can't work miracles. If your baler and monitor are not properly setup and adjusted, if the crop you bale isn't dry, and if B-Wrap bales are not properly stored, you will not get the benefits of B-Wrap.

Please thoroughly read the Baler Operators Manual, and follow these tips and suggestions. Then you'll enjoy greatly improved bale quality, and understand why we call B-Wrap the alternative to indoor storage.

Baler Setup

- Make sure baler and netwrap unit are working properly before switching to B-Wrap.
- B-Wrap is compatible with RB800 machines produced from 2014.
- Baler must be equipped with a B-wrap kit and a BaleTrak Plus™ monitor.
- Check that monitor is set to apply B-Wrap. The letter “b” should be on the display (see Baler Operators Manual for monitor details).
- Install B-Wrap roll with the blue and white stripes on core to the right.
- Or install roll with the wide dark green stripe to the right.



Baler Operation

- B-Wrap is designed for dry crop only. Bale at the proper moisture for dry crop storage.
- While the B-Wrap bale is forming, operate the baler the same as if baling with net.
- B-Wrap is designed for individual round bales up to 1.70m in diameter. When the monitor tells you the bale has reached the selected full size, stop forward motion. Wrapping begins automatically.
- If bale orientation mode is not activated, after wrapping is complete and monitor displays “6” eject bale.
- If bale orientation mode is activated and after wrapping is complete, you will hear four beeps. Disengage the PTO during the 4th beep, this beep will be longer (monitor also displays “7”). This will help to position the seam into baler chamber. Ensuring the seam is positioned correctly will help to resist the weather.
- If you change monitor settings, double check that net extends 20-25 cm past the fasteners.
- If B-Wrap wraps on the baler's rubber roll, remove the material from rubber roll (just as you would with Netwrap). Remove and discard remaining portion, cutting off net 20-25 cm past the fasteners. Then rethread B-Wrap and resume. If wrapping problem persists, See Baler Operators Manual.
- Operator can adjust seam position through channel 036. See Baler Operators Manual to adjust it.



Switching Between B-Wrap and Netwrap

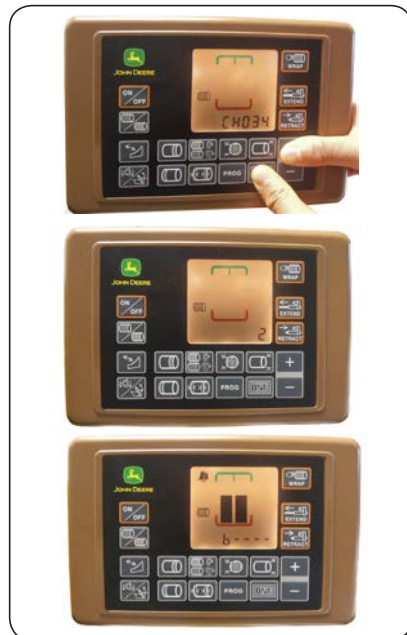
Go to channel 034 and set monitor into B-Wrap or Net mode
Change the value by pressing the Plus or Minus key to:

- 0 for Net.
- 2 for B-Wrap.
- 1 for B-Wrap with bale orientation help.

How to access channel 34

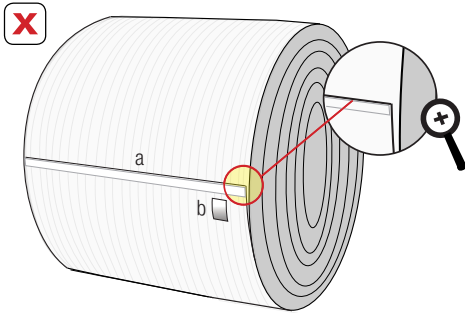
To access, press and hold the **COUNTER (123)** key and turn the monitor on.

1. Hold COUNTER (123) key and press the PLUS or MINUS key until the desired channel (034) is displayed.
 2. Release the COUNTER key to display the channel information and set the desired value 0, 2 or 1.
- Turn monitor off and on to enter settings into memory.
 - The letter b will be displayed when in B-Wrap mode.
Make sure that: Pre-cutter knives are disengaged and that drop floor is up.
 - Thread B-Wrap or Net into net wrap unit as normal. Refer to Baler Operators Manual.

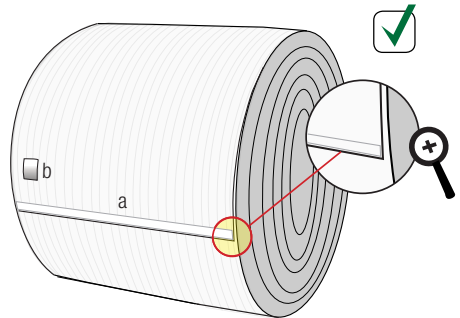


Bale Storage

- Preserving bale quality requires B-Wrap seam to be in the proper position to shed moisture. Certain handling methods can rotate the bale and re-position the B-Wrap seam. For best results, verify proper seam location in storage.
- To preserve forage quality, B-Wrap bales should be stored in sunny, well-drained location, with good air circulation.
- In high-humidity areas, it is best to store bales so they do not touch. Placing bales tightly end-to-end can trap moisture and cause spoilage.
- Do not store B-Wrap bales in shady area or under tree line.
- B-Wrap can provide excellent bale protection for up to 18 months, depending on weather and storage conditions. Monitor stored bales to check on damage to wrap.
- When handling bales, be sure to lift each bale so it clears the ground. Sliding bales could cause damage to the B-Wrap.



B-Wrap seam in wrong position to shed moisture.
Roll bale 180°.



B-Wrap seam in correct position to shed moisture.

Note: The B-Wrap seam (a-marked with a white horizontal tape) should always be below the aluminum tape (b).

Scan for language of your choice



* Tama SCM and B-Wrap are trademarks of Tama Plastic Industry



Tama UAT Ltd

5 The Windmills, St Mary's Close, Alton, Hampshire GU34 1EF, UK

Tel: +44 (0)1420 545 800 Fax: +44 (0) 1420 549 549 www.tama-uat.co.uk