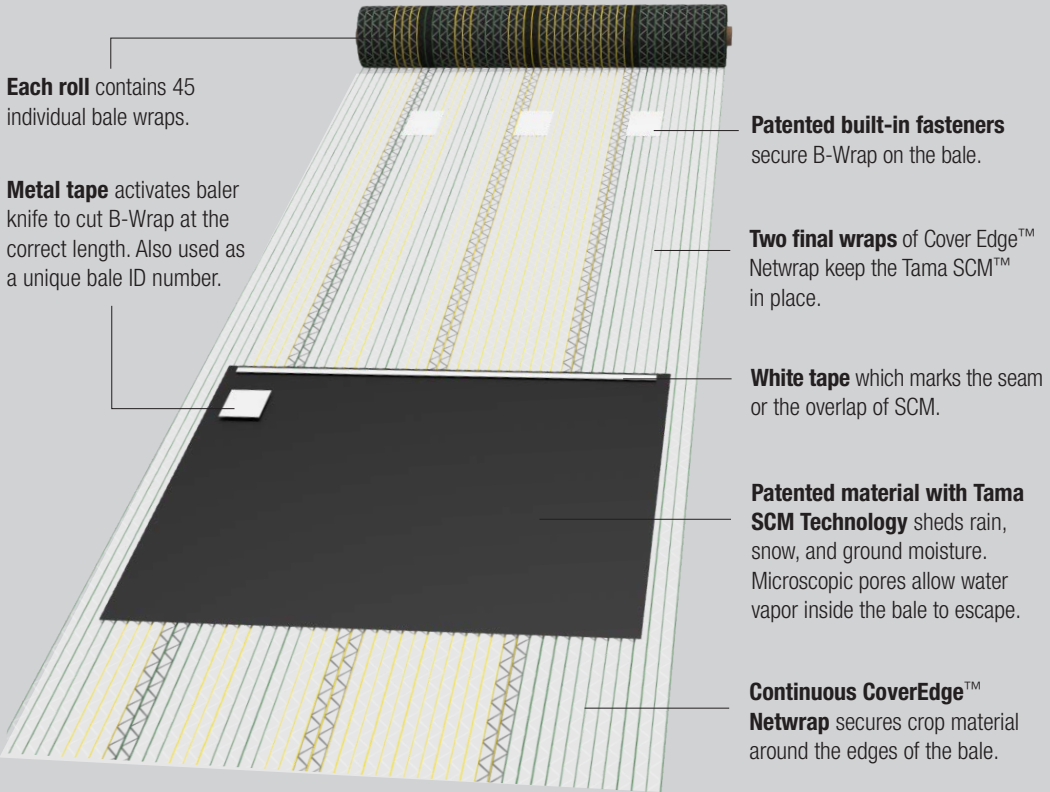


Important Tips for John Deere B-Wrap™ for RB900



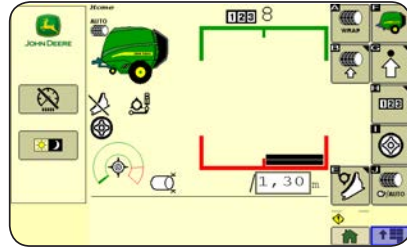
B-Wrap can dramatically reduce your bale storage losses. Thanks to a patented material that features Tama SCM technology, B-Wrap can shed rain, snow, and protect the bale from ground moisture. Plus, microscopic pores in the material allow water vapor, inside the bale, to escape.

But B-Wrap can't work miracles. If your baler and monitor are not properly setup and adjusted, if the crop you bale isn't dry, and if B-Wrap bales are not properly stored, you will not get the benefits of B-Wrap.

Please thoroughly read the Baler Operators Manual, and follow these tips and suggestions. Then you'll enjoy greatly improved bale quality, and understand why we call B-Wrap the alternative to indoor storage.

Baler Setup

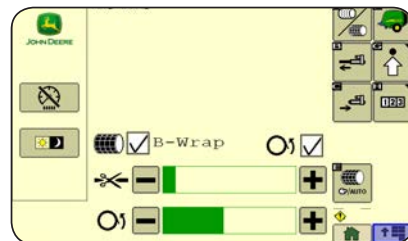
- Make sure baler and netwrap unit are working properly before switching to B-Wrap.
- Baler must be equipped with a B-Wrap kit.
- Baler software version has to be at least 08.07.
- Check that baler is set to apply B-Wrap. Net softkeys are displayed in dark in Home Page when B-Wrap is activated.
- Install B-Wrap roll with the blue and white stripes on core to the left side of machine.



Switching Between B-Wrap and Netwrap

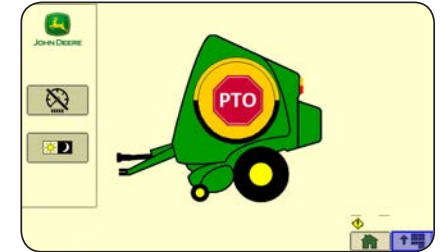
Go to Wrap Setup page by pressing "B" soft key in Home Page:

- Uncheck B-Wrap case to switch from B-Wrap to Netwrap.
- Check B-Wrap case to switch from Netwrap to B-Wrap.
 - Check bale orientation help case to activate bale orientation.
 - Uncheck bale orientation help case to deactivate bale orientation.
- See additional information regarding bale orientation below.



Baler Operation

- B-Wrap is designed for dry crop only. Bale at the proper moisture for dry crop storage.
- While the B-Wrap bale is forming, operate the baler the same as if baling with net.
- B-Wrap is designed for individual round bales up to 1.70m in diameter. Tying the bale as you would with Netwrap.

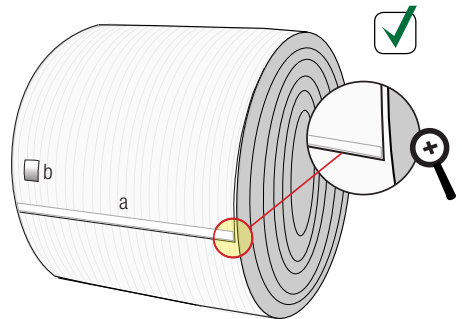
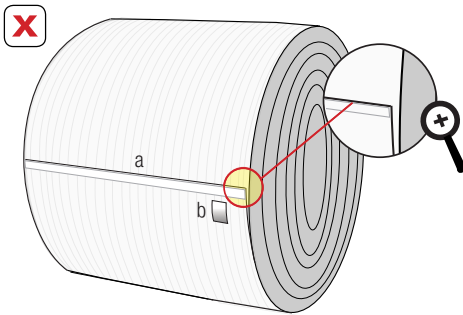


- If bale orientation help is not activated, after wrapping is complete, eject bale same as you would with net.
- If bale orientation help is activated and after wrapping is complete, monitor will display a countdown (3 and beep, 2 and beep, 1 and beep) and after monitor will display STOP with a long beep, disengage PTO during last step. This will help to position the seam into baler chamber. Ensuring the seam is positioned correctly will help to resist the weather.
- If you change monitor settings, double check that net extends 20-25 cm past the fasteners.
- If B-Wrap wraps on the baler's rubber roll, remove the material from rubber roll (just as you would with Netwrap). Remove and discard remaining portion, cutting off net 20-25 cm past the fasteners. Then rethread B-Wrap and resume. If wrapping problem persists, See Baler Operators Manual.
- To adjust bale orientation, see Baler Operators Manual.



Bale Storage

- Preserving bale quality requires B-Wrap seam to be in the proper position to shed moisture. Certain handling methods can rotate the bale and re-position the B-Wrap seam. For best results, verify proper seam location in storage.
- To preserve forage quality, B-Wrap bales should be stored in sunny, well-drained location, with good air circulation.
- In high-humidity areas, it is best to store bales so they do not touch. Placing bales tightly end-to-end can trap moisture and cause spoilage.
- Do not store B-Wrap bales in shady area or under tree line.
- B-Wrap can provide excellent bale protection for up to 18 months, depending on weather and storage conditions. Monitor stored bales to check on damage to wrap.
- When handling bales, be sure to lift each bale so it clears the ground. Sliding bales could cause damage to the B-Wrap.



B-Wrap seam in wrong position to shed moisture.
Roll bale 180°.

B-Wrap seam in correct position to shed moisture.

Note: The B-Wrap seam (a-marked with a white horizontal tape) should always be below the aluminum tape (b).

Scan for language of your choice



* Tama SCM and B-Wrap are trademarks of Tama Plastic Industry